

# FURRION

## 6.5" CEILING SPEAKERS

FS65X



FS65W

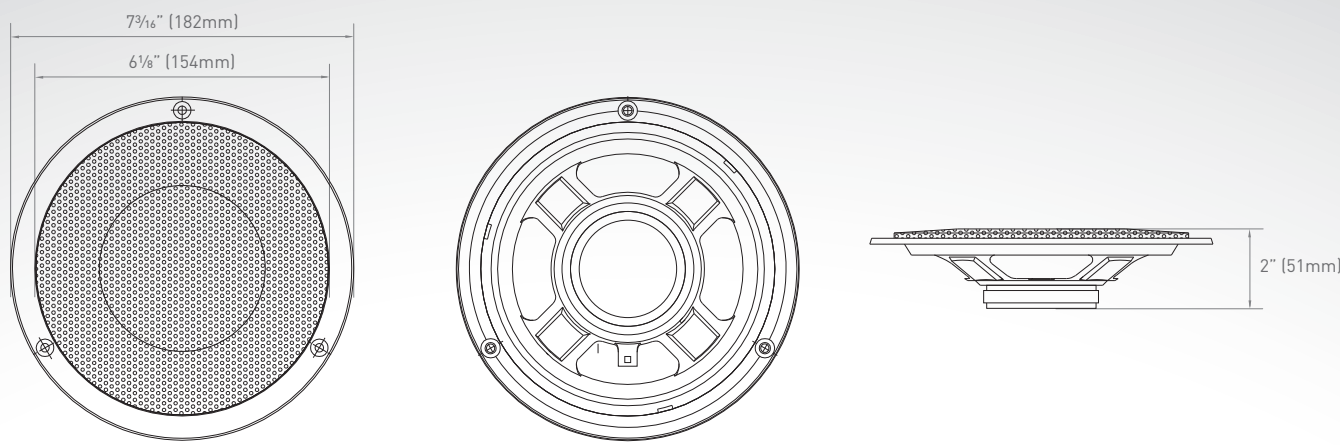
FS65B



- 30W ceiling speakers available in white or black
- 6.5" speakers provide fuller sound than smaller models



# FS65X | 6.5" CEILING SPEAKERS



## Electrical Specifications

Voice coil DC resistance	3.6±7% Ω
Voice coil electro Impedance	4Ω @1kHz 1V
Resonance frequency	90±15% Hz
Output sound pressure level	90±2 dB
Charateristic sensitivity	±2 dB
Effective frequency band	Fo~20kHz
Sine wave test (abnormal sound)	4.5V
Pure tone test	Sine wave test
Polarity	Left "+", Right "-"

## Mechanical Specifications

T-yoke	Ø54 x Ø18.95 x 11.5H x 3t
Washer	Ø54 x Ø20.8 x 3t
Damper	Ø76 x Ø73 x Ø19.8 x 3.5H
Magnet size	Ø60 x Ø24 x 8mm
Frame diameter	6.49" (165mm)
Cone-paper color	White
Dust-cup material	Malar
Front gasket	•
Back gasket	•
Lead wire	Material: 12 strand of copper twisted lines
Magnet label	Y25
Tag	Load 5N between tag and frame
Tag details	9 x 28mm Paper left illustration '+'=5mm right illustration '-'=5mm

## General Specifications

Type	Ceiling Speakers
Colors	FS65B (Black) / FS65W (White)
Driver Dimensions	6.49" (165mm)
Power	30W

## Product Packaging

Packaging type	Cardboard sleeve
Quantity (pcs)	1
Individual Packaging Dimensions(W x D x H)	7 3/8" x 7 3/8" x 2 1/4" (187.3mm x 187.3mm x 57.2mm)
Individual Packaging Gross Weight (kg/lbs)	0.4/0.9
Individual Packaging Net Weight (kg/lbs)	0.05/0.1

## Master Carton

Packaging type	Master Carton Box
Quantity per box	30
Master Carton Dimensions(W x D x H)	12" x 15 1/2" x 19 7/8" (304.8mm x 393.7mm x 504.8mm)
Master Carton Gross Weight (kg/lbs)	13/28.6
Master Carton Net Weight (kg/lbs)	11/24.2

\* Note: "✓"=Equipped "•" = Not available